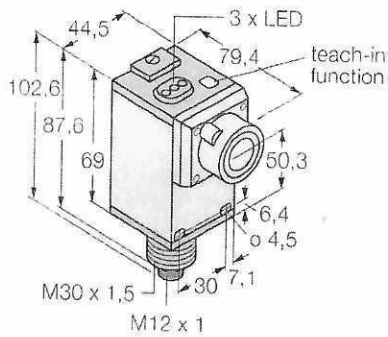


Product Q45ULIU64BCRQ6



Zoom

Ultrasonic Sensor
diffuse mode sensor
With Analog Output

Order number: 3047558

Alternative order number : 47558

- Measuring range adjustable via teach button or control line
- Response time, adjustable
- Analog output can be used for voltage or current
- Teach-in function
- Convertible output curves

Aperture angle of sonic cone 12 °

Blind zone: 25 cm

Range: 300 cm

Product Comparison

SPECIFICATIONS

DOWNLOAD

ACCESSORIES

General data

EAN	662488475581
eCl@ss-Code (V5.1.4):	27272803 -/- Ultrasonic proximity switch
Customs tariff number	85365019900
Country of origin	US
Weight	292 g

Technical Data

Function	Proximity switch
Operating mode	Time-of-Flight

Design	Rectangular
Construction size	79.4 x 44.5 x 102.6 mm, Q45
Radiation direction	straight
Range	250...3000 mm
Operating voltage	12...24 VDC
Output function	Analog output
Voltage output	0...10 V
Current output	4...20 mA
Electrical connection	Connector, M12 x 1
Housing material	Plastic, PBT
Ambient temperature	-25...+70 °C
Protection class	IP67
Special features	Clear object detection

Data Sheets

German	422 KB
English	422 KB
French	423 KB
Spanish	422 KB
Czech	423 KB
Dutch	423 KB
Romanian	423 KB
Russian	554 KB
Polish	423 KB